

# Q423VS-4

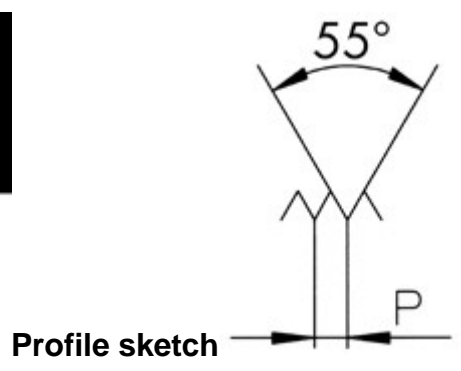
DIN EN ISO 228  
DIN 5156



## Range of application



Tool features



## Tool data

ID	D <sub>1</sub>	Ø d <sub>1</sub>	P	l <sub>1</sub>	l <sub>2</sub>	d <sub>2</sub>	a
197645	G1/8	9.73	0.907	90.0	22.0	7.00	5.5 3 8.75

## Product range Q423VS-4 G1/8

ID	D <sub>1</sub>	Ø d <sub>1</sub>	P	l <sub>1</sub>	l <sub>2</sub>	d <sub>2</sub>	a
197645	G1/8	9.73	0.907	90.0	22.0	7.00	5.5 3 8.75
197646	G1/4	13.16	1.337	100.0	20.0	11.00	9.0 3 11.60
197647	G3/8	16.66	1.337	100.0	20.0	12.00	9.0 3 15.20
197648	G1/2	20.96	1.814	125.0	22.0	16.00	12.0 4 18.90