

N560TN-3

DIN 13
DC extra long

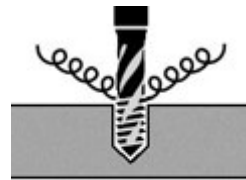


Range of application

- 11
 - 12
 - 13
 - 14
 - 21
 - 31
 - 32
 - 73
 - 74
- Tool features

TiN HSSE

EL



< 2.5 x D

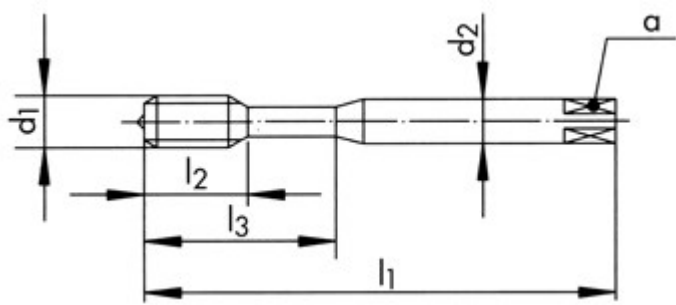


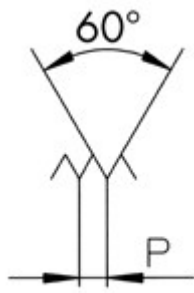
R40



2.5 x P

Technical sketch





Profile sketch

Tool data

ID	D ₁	Ø d ₁	Tol	P	l ₁	l ₂	l ₃	d ₂	a
142663	M3	3.00	6H	0.500	112.0	5.5	18	3.50	2.7 3 2.50

Product range N560TN-3 M3 6H

ID	D ₁	Ø d ₁	Tol	P	l ₁	l ₂	l ₃	d ₂	a
142663	M3	3.00	6H	0.500	112.0	5.5	18	3.50	2.7 3 2.50
142664	M4	4.00	6H	0.700	112.0	7.5	21	4.50	3.4 3 3.30
142665	M5	5.00	6H	0.800	125.0	9.0	25	6.00	4.9 3 4.20
142666	M6	6.00	6H	1.000	125.0	11.0	30	6.00	4.9 3 5.00
142667	M8	8.00	6H	1.250	140.0	12.5	35	8.00	6.2 3 6.80
142668	M10	10.00	6H	1.500	160.0	14.0	39	10.00	8.0 3 8.50